

# Installation Guidelines

## General Installation Instructions

### Valve Removal

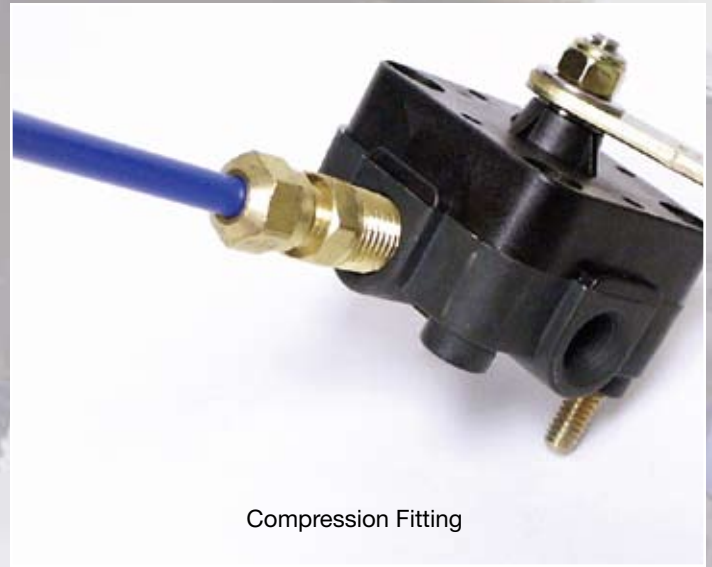
Shut-off air flow to Height Control Valve.

Disconnect the Linkage from control arm.

Disconnect air lines to the Height Control Valve.

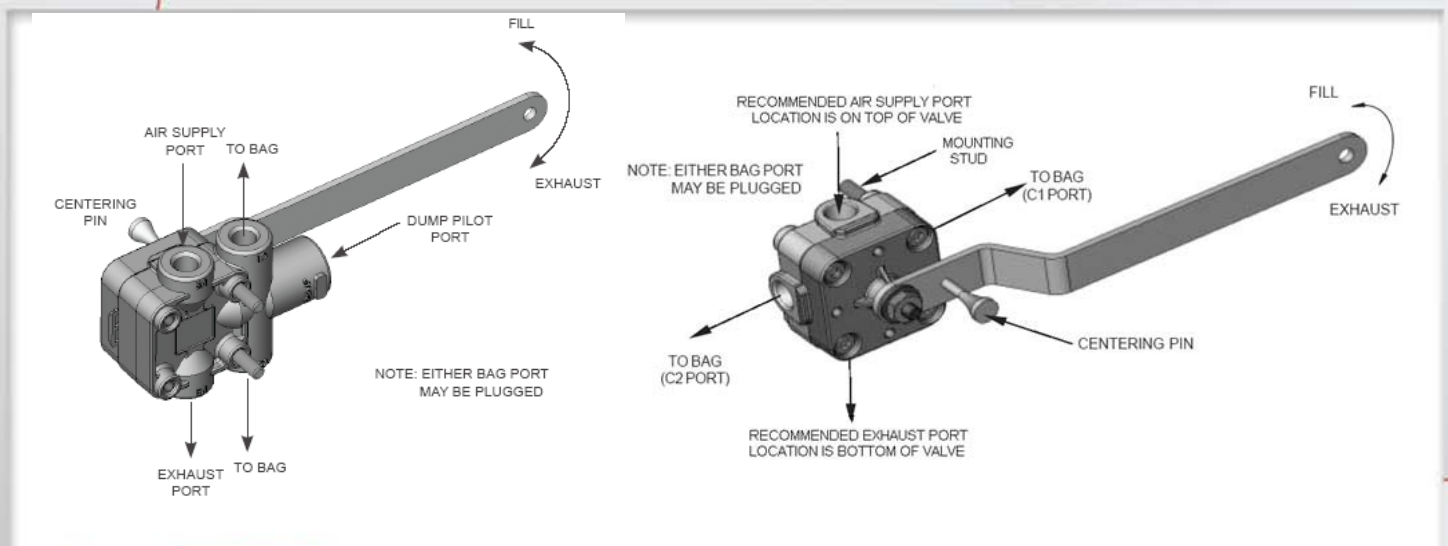
Caution: Air lines are under pressure and air may blow debris.

- ▶ For Push-To-Connect Fittings, depress the manual push button then pull the tube out.
  - ▶ For Compression Fittings, loosen compression nut and pull tube from compression seat.
- Remove valve from frame.



Compression Fitting

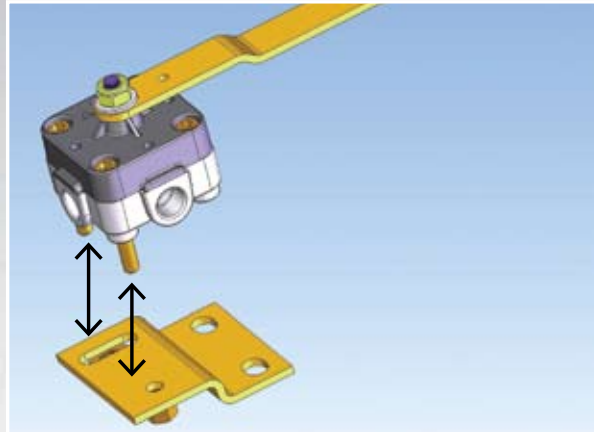
### Typical Barksdale Height Control Valve



# Installation guide

## General Installation Instructions

1. Apply thread sealant to either the new fittings provided or existing fittings removed from previous valve.
2. Install fittings according to air line size into Height Control Valve.
3. Attach bracket to the mounting screws of the Height Control Valve.



4. Mount Height Control Valve, with attached bracket, to the frame.
5. Hand tighten nuts.
6. Connect air lines to fittings of Height Control Valve. Inlet port is identified as port orientated up.
  - ▶ For Push-To-Connect Fittings:
    - Cut tubing using tube cutter to achieve square cut of tube.
    - Pull on tubing to verify gripping action. (Tubing should not slip out)
  - ▶ For Compression Fittings
    - Remove compression nut and compression ring from fitting.
    - Slide compression nut followed by compression ring over tubing.
    - Push tubing into compression seat and tighten compression nut.  
(The compression ring will compress against tubing as nut is tightened.)
7. Adjust ride height by rotating the handle to the Fill/Exhaust position, allowing air to enter/exit the air bags.  
If installing Height Control Valve with Integral Dump proceed as following: Note: 3-way pilot valve is required.
  - ▶ Connect air line from pilot valve to Dump Port of Height Control Valve.
  - ▶ Apply 65 psi of air pressure to the Dump Port of the Height Control Valve activating the piston, allowing air to be "dumped " from the air bags.
8. When the desired ride height, as specified by the vehicle manufacturer, is achieved rotate the handle to the neutral position. Install Centering Pin through handle hole and into the valve body.
9. Adjust Height Control Valve with mounting bracket to achieve final ride height according to the Truck Manufacturers recommended height.
10. Tighten all nuts and torque to 45 in/lb.
11. Remove Centering Pin.

