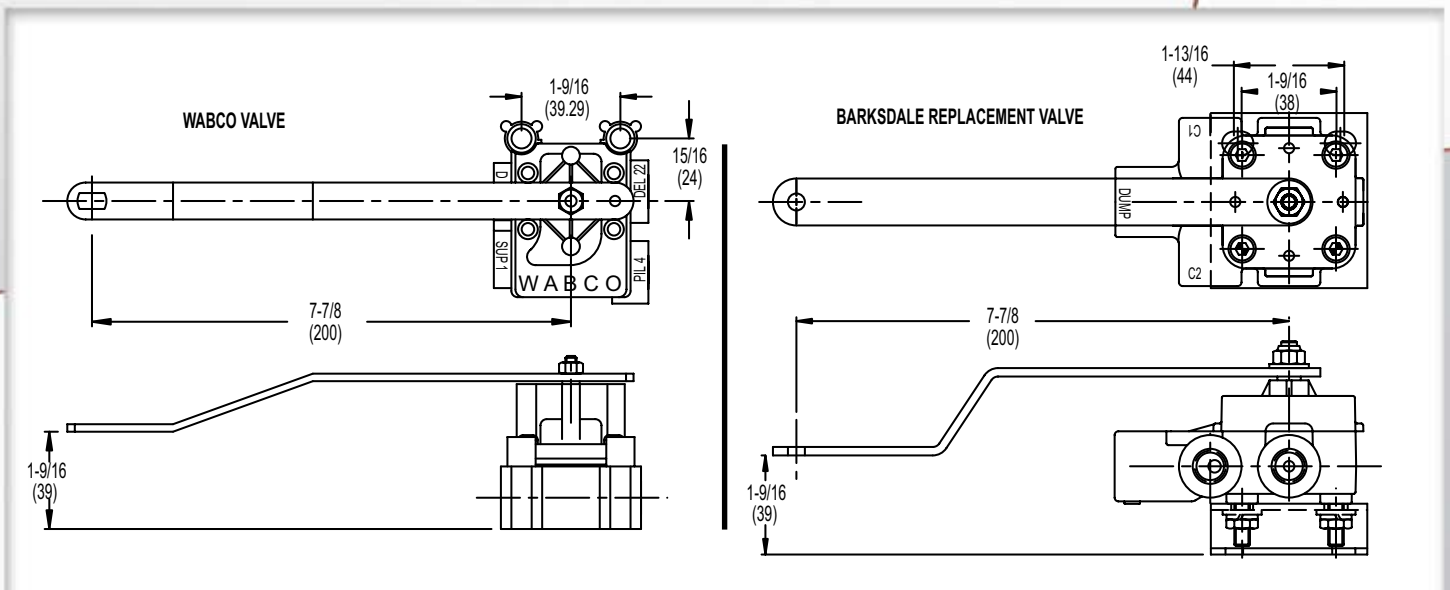


Height control valves

KD2359 Replaces: WABCO 464 008 115-0



- ▶ Chassis Air Ride Applications
- ▶ Integral Dump Feature
- ▶ 1/4" NPT Ports
- ▶ Bolt-in installation
- ▶ No drilling required



HEIGHT CONTROL VALVE

REPLACEMENT KIT HCV - WABCO 464 008 115-0

CONTENTS FOR KIT KD2359:

1. 52341-Q205 Valve
2. Bracket "Z" (1)
3. 1/4-20 Lock Nuts (2)
4. 1/4" Washers (2)
5. Centering Pin (1)
6. Data sheet
7. 5/16-18 Hex Bolts (2)
8. 5/16-18 Hex Nuts (2)
9. 5/16" Washers (2)

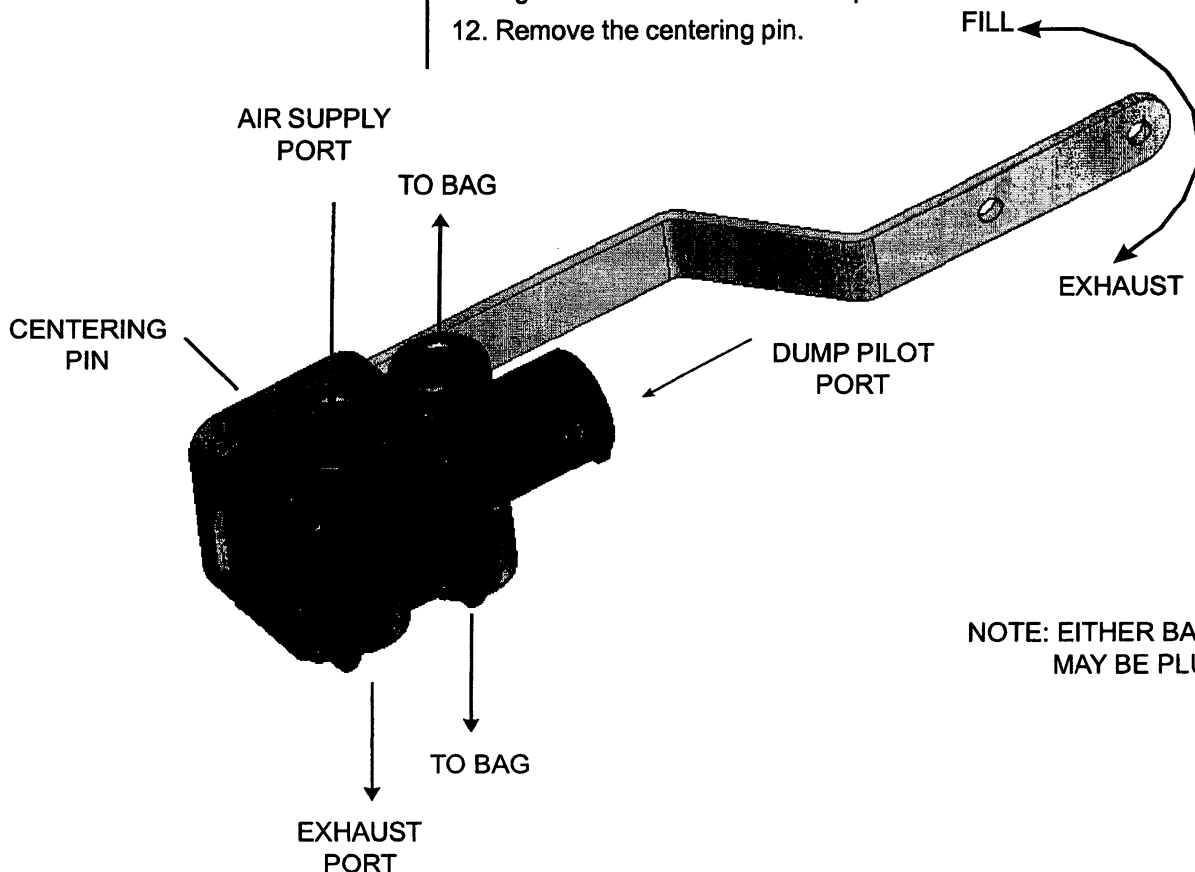
INSTRUCTIONS:

Disconnect the linkage from the arm, replace worn and bent hardware.
Disconnect the air lines to the air suspension valve.

Caution: Air lines are under pressure and air may blow debris.

Save air line nuts and ferrules to use on new valve.

1. Remove old valve and identify the WABCO valve being replaced.
2. Mount the new Barksdale valve in the appropriate bracket provided.
See illustrations on back.
3. Only snug tighten nuts as valve may need to be rotated to adjust ride height.
Mount the bracket/valve assembly in the holes used to mount the valve being replaced.
5. Reconnect the air lines to the new valve.
6. **Caution:** Normally closed, 3 way pilot valve is required to activate Barksdale valve dump pilot.
7. The air lines may have to be re-routed to connect to the supply and fittings.
The air supply is always connected to the top port in the valve.
This allows air to inflate the bags when the arm is in the up position.
Use air fittings supplied as required.
8. Adjust to approximate ride height by turning the valve handle up to add air to the bags, down to exhaust air from the air bags.
9. Install centering pin in holes provided in valve handle.
10. Adjust final ride height using the truck manufacturer's recommended height.
11. Tighten all nuts to 45 lb.in. torque.
12. Remove the centering pin.



**NOTE: EITHER BAG PORT
MAY BE PLUGGED**

