

# Height control valves

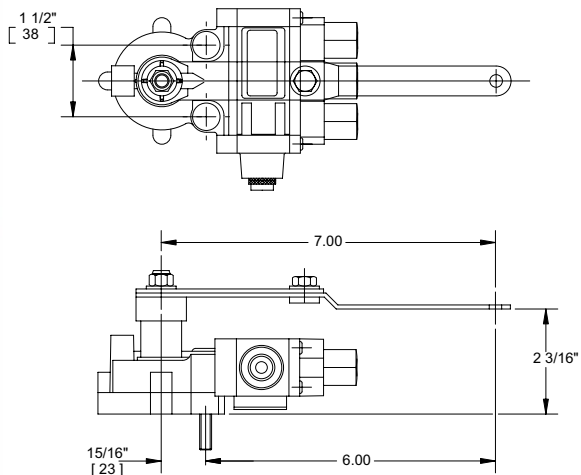
**KD2374 Replaces: Haldex PR 90554950 & 90554945**



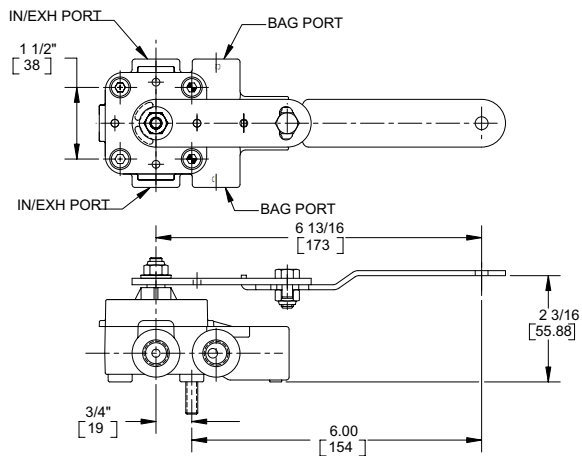
- ▶ Chassis Air Ride Applications
- ▶ Integral Dump Feature (normally closed)
- ▶ 1/4" NPT Ports
- ▶ Bolt-in installation
- ▶ No drilling required



HALDEX VALVE



HALDEX REPLACEMENT VALVE



# HEIGHT CONTROL VALVE

## REPLACEMENT KIT SUSPENSION VALVE - HALDEX PR

### CONTENTS FOR KIT KD2374:

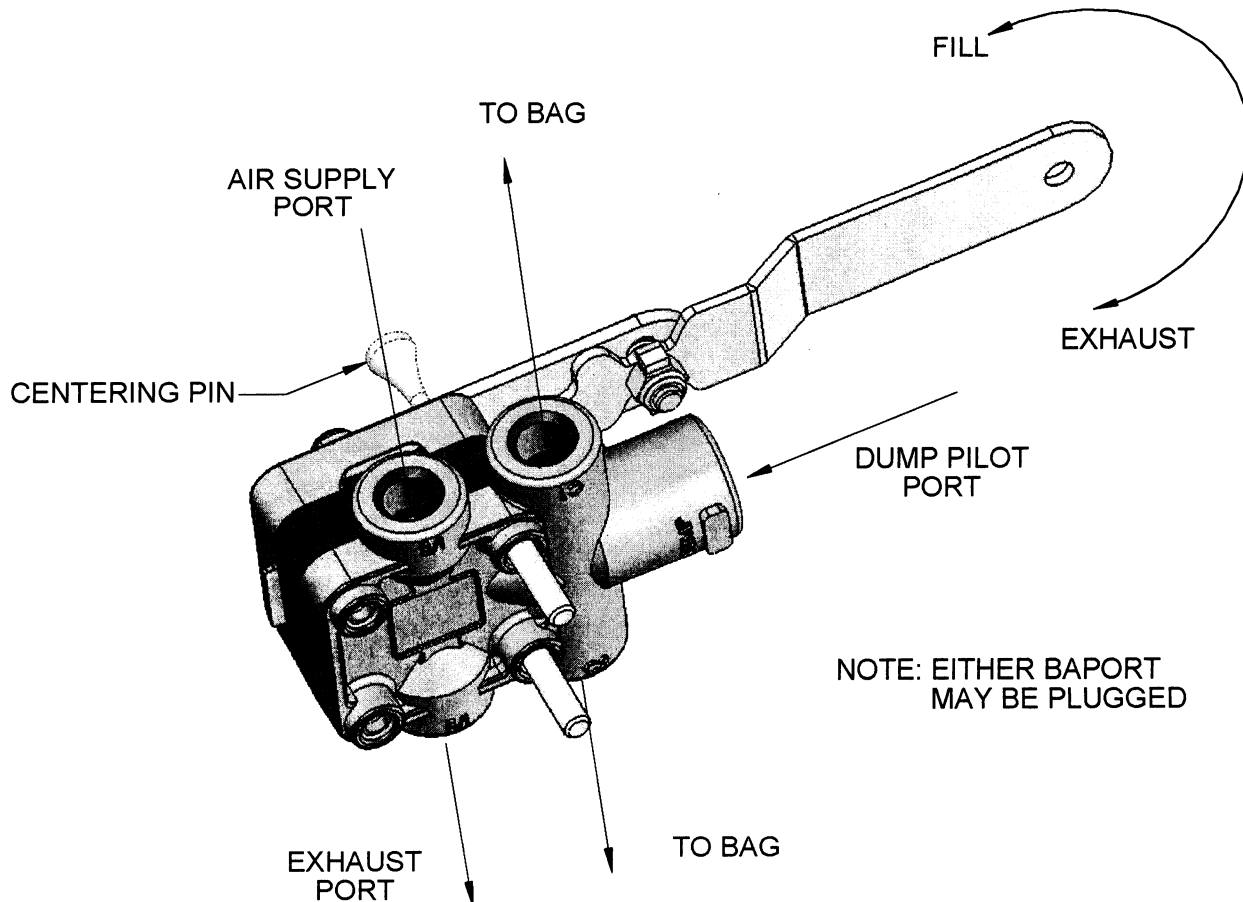
1. 52341-Q207 Valve (1)
2. Centering Pin (1)
3. Instructions
4. 1/4" Nut (2)
5. 1/4" Washer (2)
6. 90° Elbow Fitting  
1/4 Tube (2)
7. Barbed Fitting (1)
8. 4" Tubing (1)

### INSTRUCTIONS:

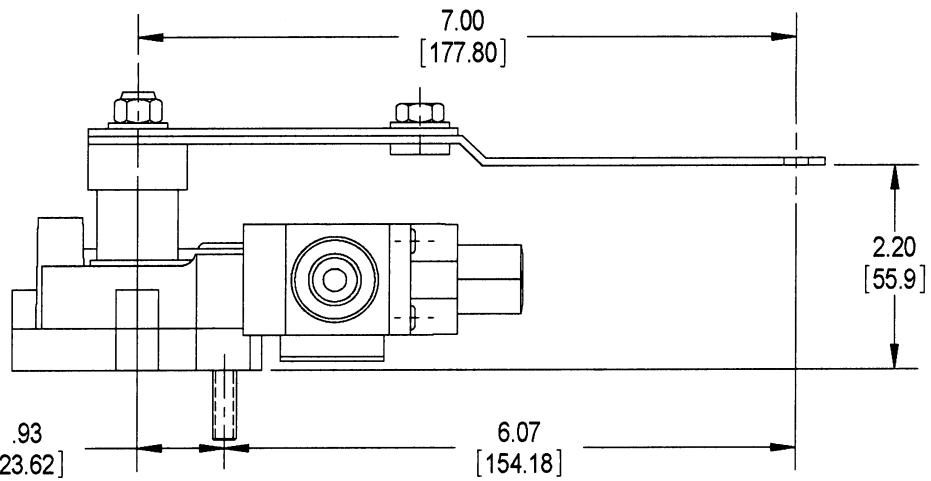
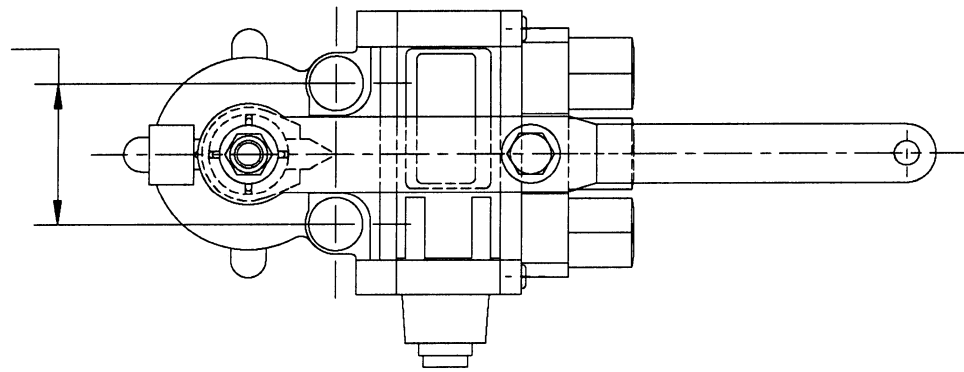
Disconnect the linkage from the arm. Replace worn and bent hardware. Disconnect the air lines to the air suspension valve.

**CAUTION:** Air lines are under pressure and air may blow debris.

1. Remove valve and identify the manufacturer of the valve being replaced.
2. Mount the valve assembly in the holes used to mount the valve being replaced.
3. Reconnect the air lines to the new valve.
4. The air supply is always connected to the top port in the valve. This allows air to inflate the bags when the arm is in the up position.
5. Adjust the approximate ride height by turning the valve handle up to add air to the bags, down to exhaust air from the bags.
6. Install centering pin in holes provided in valve handle.
7. Adjust final ride height using truck manufacturer's recommended height.
8. Tighten all nuts to 45 Lb. In. torque.
9. Remove the centering pin.



1.50  
[38.1]



### HALDEX VALVE

IN/EXH PORT      BAG PORT

