

Now Available

Volvo Chassis Leveling Valve Service Kits

HEIGHT CONTROL VALVES
KD2432 & KD2433, our new HCV kit for
Volvos/Macks, provides:

Shear-Seal® Design

- ▶ Metal to metal seal resists contamination and temperature extremes
- ▶ One moving part
- ▶ Unparalleled reliability

Metered Air Flow

- ▶ Reduces air consumption and saves compressor wear and fuel
- ▶ Bolt-on installation with fittings supplied

Assured Quality

- ▶ Designed and produced by the largest Original Equipment leveling valve supplier to the North American truck industry.



KD2432

Stocking Part No: KD2432

Replaces the following height control valves on all 2006-newer Volvo/Mack; including:

- ▶ 85112638 (Hadley) - Volvo
- ▶ 99QK418M (Haldex) - Mack

KD2433

Stocking Part No: KD2433

Replaces the following height control valves on all 2006-newer Volvo; including:

- ▶ 85112623 (Haldex)
- ▶ 85108667 (Hadley)



BARKSDALE REPLACEMENT KIT, SUSPENSION VALVE – VOLVO KD 2432 (STANDARD SERVICE)

Replaces Hadley height control valve – Volvo Trucks 2006 and newer

CONTENTS FOR KIT KD2432

1. 52341-Q255 Valve (1)
2. Centering Pin (1)
3. Nut, Self Locking (2)
4. Washer, 1/4" (2)
5. Fitting, Elbow
1/4" NPT-1/4" PTC (1)
6. Barbed Fitting (1)
7. Tubing, 1/4" x 4" Lg (1)
8. Tubing, 3/8" x 6" Lg (1)
9. Fitting, Elbow
1/4" NPT-3/8" PTC (3)
10. Fitting Straight Union
3/8" PTC-3/8" PTC (1)
11. Hose Clamp (1)
12. P Mount (1)
13. Lock washer (1)
14. Stud, Linkage (1)
15. Nut, 1/4" (2)

INSTRUCTIONS

1. Install fittings onto valve as shown on figure 1.
 2. Disconnect air lines to the Hadley air suspension valve.
- CAUTION:** Air lines are under pressure and may blow debris.
3. Disconnect linkage from Hadley valve handle.
 4. Remove Hadley valve, and adjust the bottom linkage attachment from lowest to highest attachment point.
 5. Mount the new valve in the holes used to mount the valve being replaced.
 6. Reconnect the air lines to the new valve. If tubing is too short, use the supplied straight union and tubing to extend to the desired length.
 7. The air supply is always connected to the top port in the valve. This allows air to inflate the bags when the arm is in the up position.
 8. Adjust the ride height to the Volvo specifications moving the end of the handle up or down to achieve the correct height.
 9. Insert centering pin through handle hole and into valve body.
 10. Connect linkage to new valve handle, with stud and P mount, adjusting handle position as necessary by loosening bolt on handle.
 11. Torque all nuts to 45 in-lbs.
 12. Remove the centering pin.

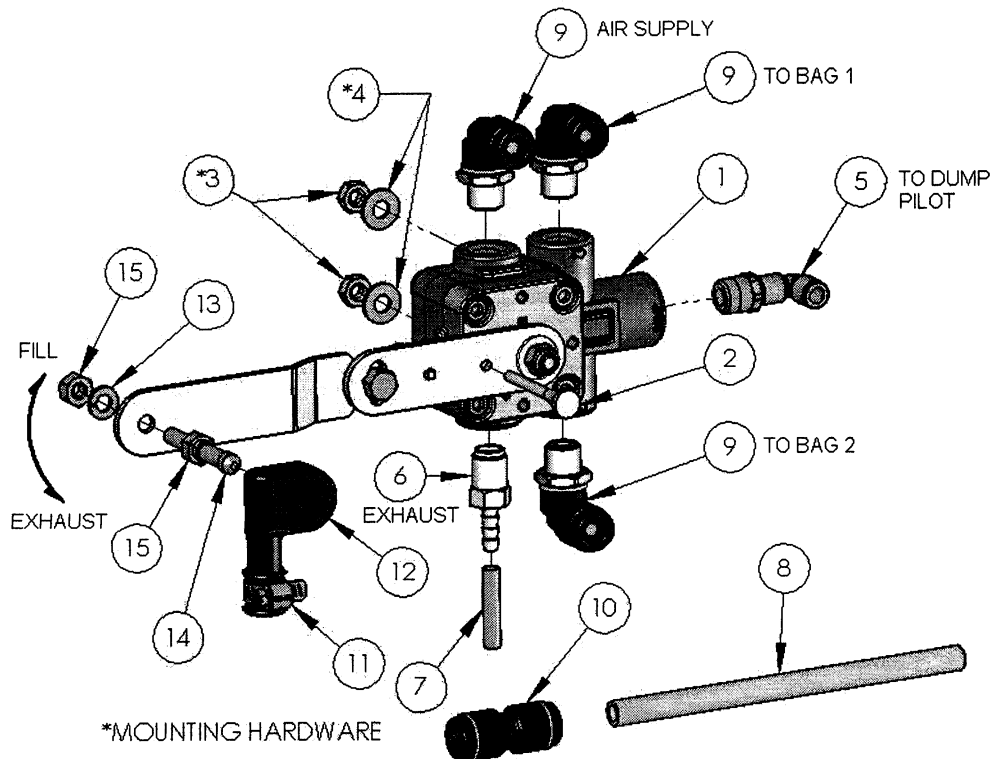
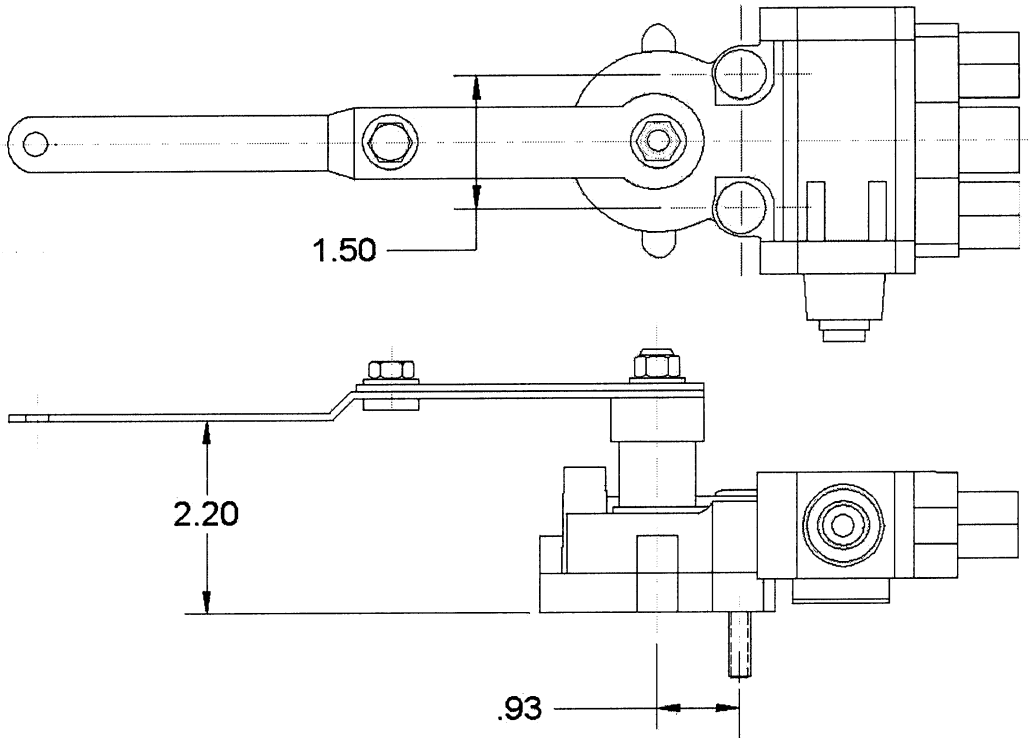


FIGURE 1



O.E. VALVE (HALDEX)

