

## Air Suspension Valve with Reverse Integrated Dump

### Benefits:

- ▶ Automatically exhaust trailer air springs when parking brake system is engaged
- ▶ High-flow design for rapid fill and exhaust
- ▶ Integrated dump feature reduces installation parts and costs while minimizing potential leakage points

### Features:

- ▶ Shear-Seal™ Technology
- ▶ Proportional flow reduces vehicle air consumption
- ▶ Automatic exhaust when pilot pressure falls below 20 psi

### Applications:

- ▶ Trailer Air Suspension Systems
- ▶ Replaces:
  - Hadley: H00500CA w/ HPB500-7
  - Haldex: 90554648 or 90054007 w/90554902

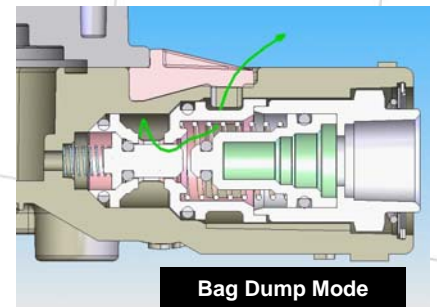
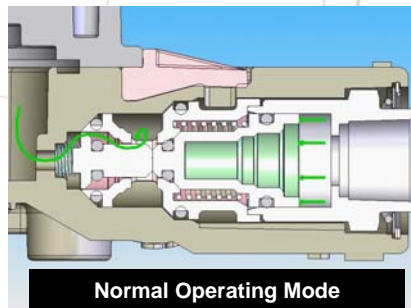


### Dump Function: 52341 vs. 54341

The 52341 Series relies on positive air pressure to actuate the dump feature. The dump valve state is “normally closed.”

The 54341 Series relies on negative air pressure to actuate the dump feature. This feature allows the seamless integration of the reverse dump valve into the trailer parking brake system. When parking brakes are set, the negative pressure that allows the brakes to lock will also allow the dump feature to be actuated. The negative air pressure allows the dump valve to return to its “normally open” state and exhaust the trailer air suspension.

#### Reverse Dump Valve



#### Positive Dump Valve

