

Safe Disposal of Shocks

Disposal Instructions

Appropriate protective measures, such as wearing safety glasses and protective gloves, should be taken when removing oil and gas from discarded and defective shock absorbers.

Procedure

1. Secure the shock absorber in a horizontal position. Fully extend the piston rod prior to drilling the unit. (see FIG. #A).
2. Using a 1/8" (3mm) drill bit, drill a hole in a downward direction approximately 1.0" (25mm) from the bottom of the shock absorber to a depth of about 1.0" (25mm) (see FIG. #B).
3. Drill a second hole of about 1/8" (3mm) at 2.0" (50mm) from the top of the shock absorber to depth of about 1.0" (25mm), in order to allow all of the oil to flow out.
4. By moving the piston rod in and out, begin stroking the unit to completely purge the oil from the cylinder of the unit (See FIG. #C).

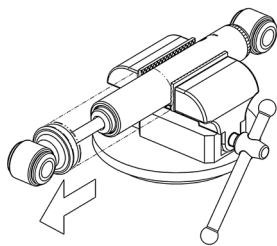


FIG. #A

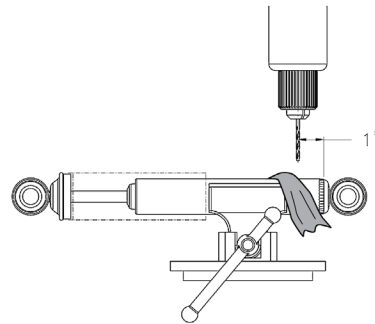


FIG. #B

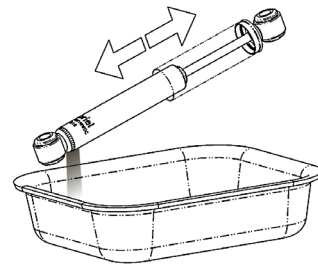


FIG. #C

Environmental Information

5. Collect all used oil, **being careful not to mix oil with any other waste or refuse**. Store the used oil in an approved container clearly marked "Used Oil".
6. Dispose of the remaining shock body and internal parts in accordance with your local, state, or provincial legislation concerning waste oil and other wastes.
7. Store, dispose, and/or transport used oil in accordance with environmental regulations and used oil program regulations in your state or province.

Used shock oil may be disposed in the container used for recycling engine oils. Information on where to dispose of the oil and other parts can be obtained from environmental authorities or oil suppliers.