

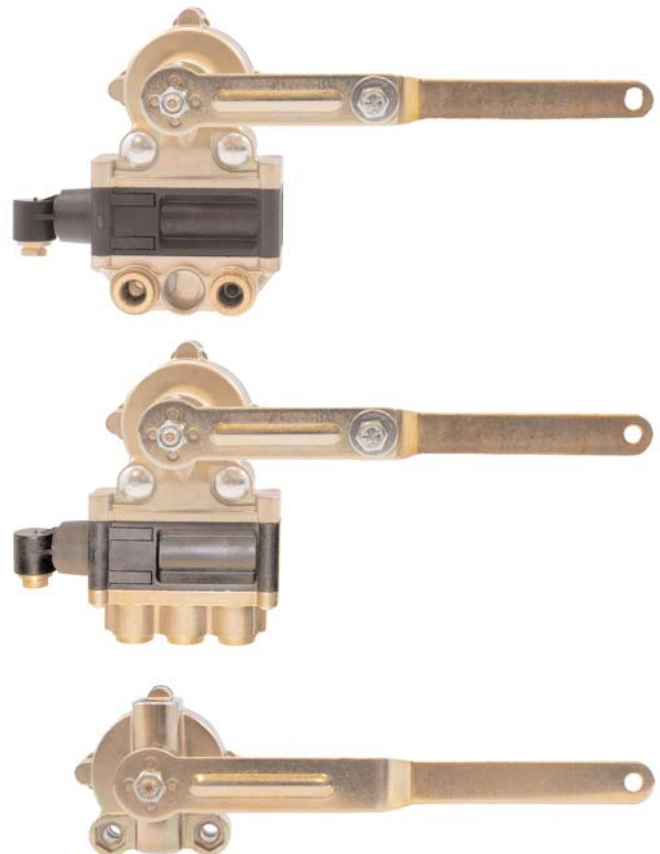
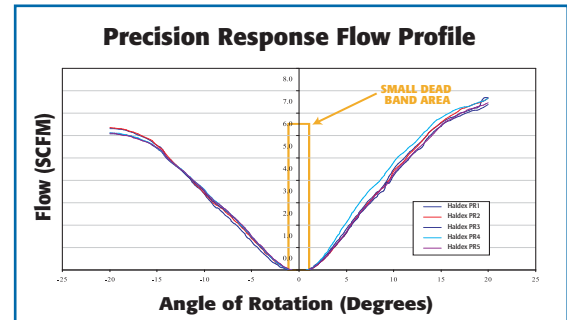
SUSPENSION VALVES

PRECISION RESPONSE (PR) HEIGHT CONTROL VALVE

Haldex Precision Response (PR) Valves can be used to maintain the ride height for any truck, trailer, industrial or recreational vehicle air suspension.

FEATURES & BENEFITS

- The precision response design
 - Acts immediately
 - Reduces total air consumption
 - Controls dynamic drift
- Ceramic Seal technology provides product durability and reliability by eliminating dynamic rubber seals used in other valves.
- Primary shaft supported by self-lubricating high performance bearing.
- The industries tightest dead band eliminates ride height variation and reduces equipment damage.
- Can be mounted in multiple orientations and can easily replace other brands of height control valves.
- Available with an adjustable control arm and optional dump valve to make installation and plumbing more efficient.
- Numerous manifold options are available to reduce installation time, unnecessary fittings and leak points.



PR and PR Plus Standard Configurations

Available Options	90554945	90554950	90555375	90555108	90555335
Delivery Port Size	1/4" NPT	1/4" NPT	3/8" PTC	1/4" NPT	1/4" NPT
Dump Valve Option	None	Normally Open (manual dump)	Normally Open (manual dump)	Normally Closed (auto dump)	N/A
Dump Valve Port Size	N/A	1/4" Push In	1/4" Push In	1/4" Push In	N/A

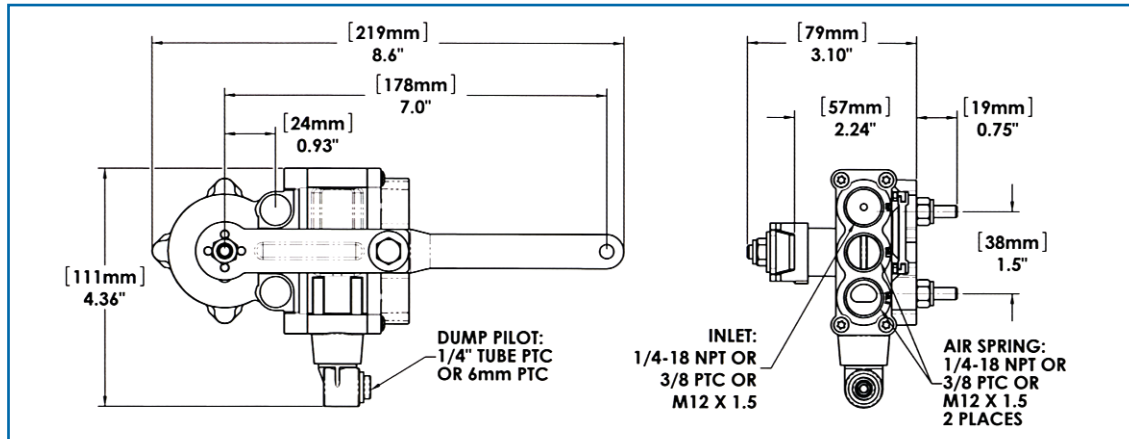
SUSPENSION VALVES

continued

Haldex

**PRECISION RESPONSE (PR)
HEIGHT CONTROL VALVE**

Type PR HCV Reference Dimension Details



VALVE OPTIONS

Dump Valves:

Normally Open = Needs air pressure to dump
Normally Closed = Dumps if air pressure is removed

Control arms:

- 7" Non adjustable arm
- 7" Adjustable arm
- 5.5" Adjustable arm

Port Options:

- Threaded 1/4" NPT and metric ports
- 3/8" and 1/4" Push to connect fittings

Manifold Configurations:

- 2 or 3 Port straight manifolds
- 3 to 5 Port side manifolds



Contact your Haldex Sales Representative for more information on PR Plus configurations for your applications.

Warning: This document and other information from Haldex, its subsidiaries and authorized distributors provide product and/or system options for further investigation by users having technical expertise. It is important that you analyze all aspects of your application and review the information concerning the product or system, in the current literature or catalog. Due to the variety of operating conditions and applications for these products or systems, the user, through their own analysis and testing, is solely responsible for making the final selection of the products and systems and assuring that all performance, safety and warning requirements are met.



Haldex Commercial Vehicle Systems

Haldex Brake Products Corporation
10930 N. Pomona Ave.
Kansas City, MO 64153-1256
Phone: 816-891-2470
Fax: 816-891-9447

Haldex Limited
525 Southgate Drive, Unit 1
Guelph, Ontario Canada N1G 3W6
Phone: 519-826-7723
Fax: 519-826-9497

www.haldex.com