



MASON INDUSTRIES, Inc.

Manufacturers of Vibration Control Products

350 Rabro Drive
Hauppauge, NY 11788
631/348-0282
FAX 631/348-0279
Info@Mason-Ind.com
www.Mason-Ind.com

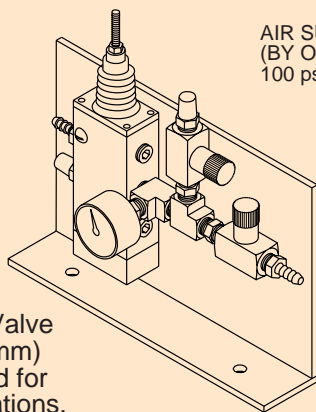
2101 W. Crescent Ave., Suite D
Anaheim, CA 92801
714/535-2727
FAX 714/535-5738
Info@MasonAnaheim.com
www.MasonAnaheim.com

AIR SPRING LEVELING VALVE ASSEMBLY

LEVELING VALVE

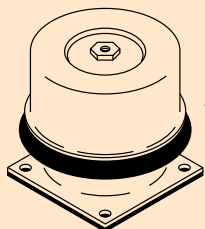
DATA SHEET DS-206-2

Leveling Valve

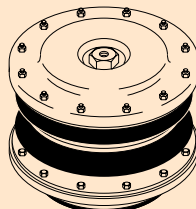


Also available—
Micro Leveling Valve
 $\pm 0.003"$ ($\pm 0.076\text{mm}$)
custom designed for
sensitive applications.

All Air Springs should be installed with
Air Spring Leveling Valves.

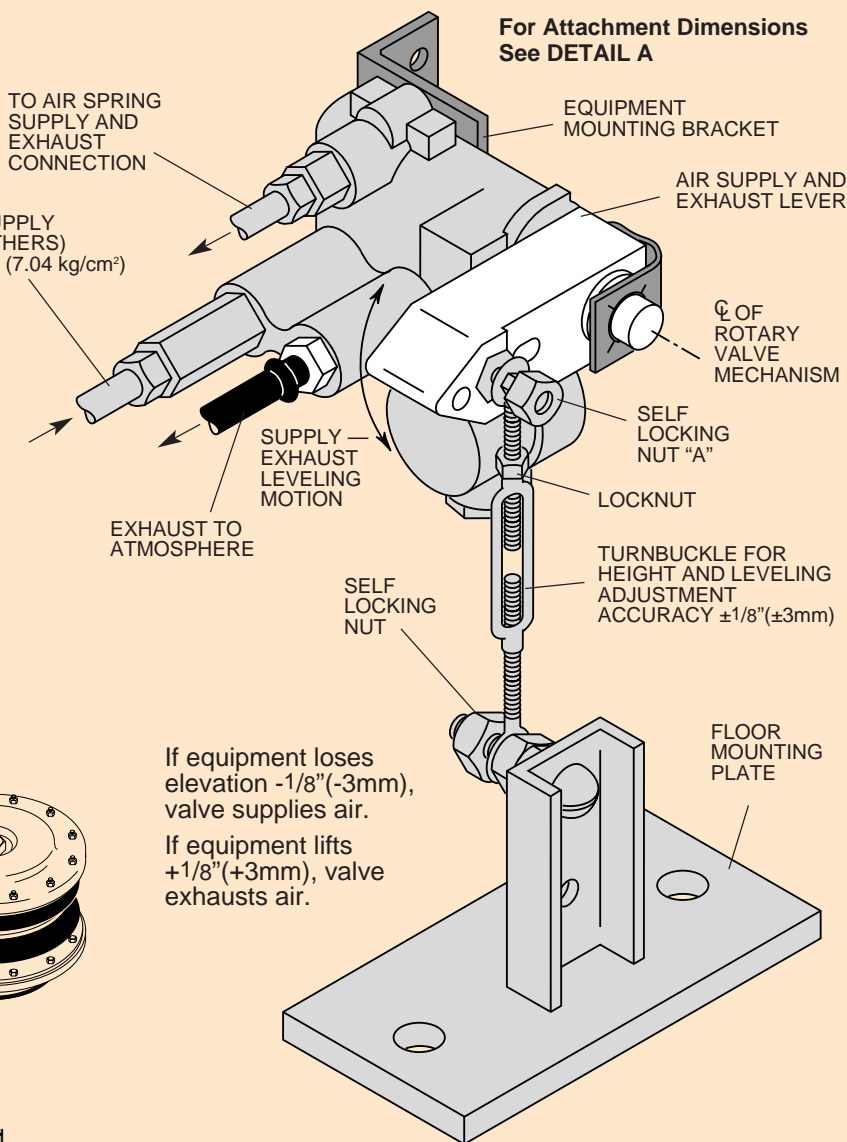


MAS
Rolling Lobe
Air Spring



MT
Twin Sphere
Air Spring

TYPICAL AIR SPRINGS



If equipment loses elevation $-1/8"$ (-3mm),
valve supplies air.

If equipment lifts $+1/8"$ ($+3\text{mm}$), valve
exhausts air.

DETAIL A

