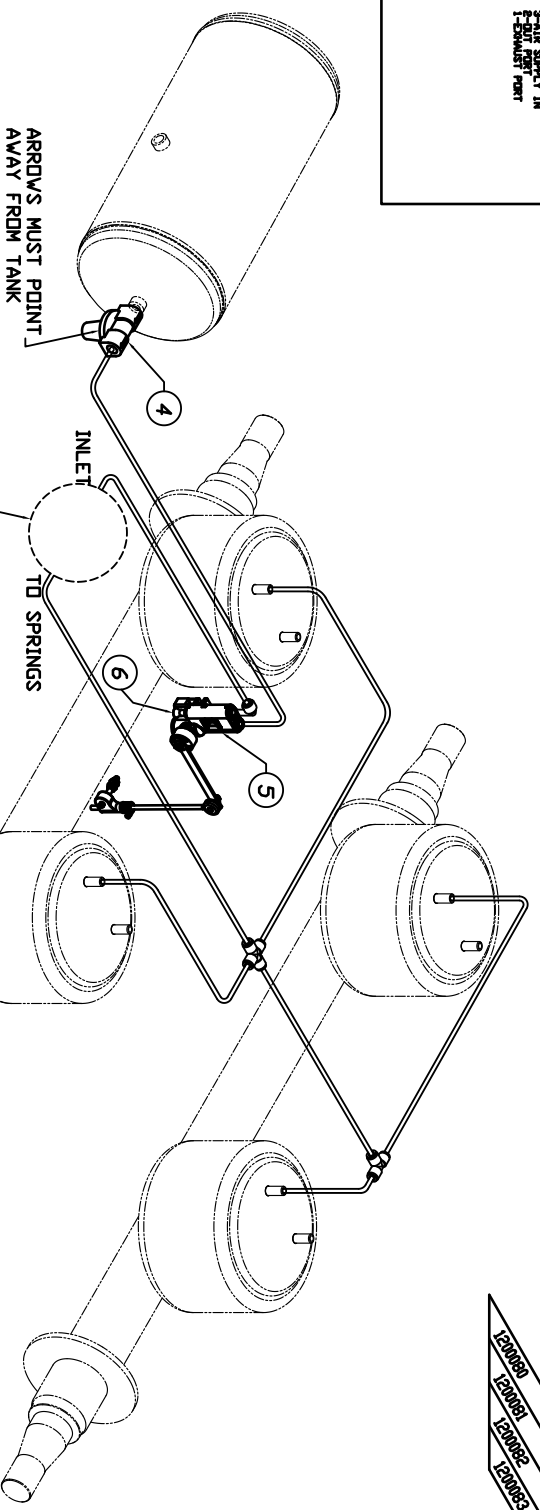
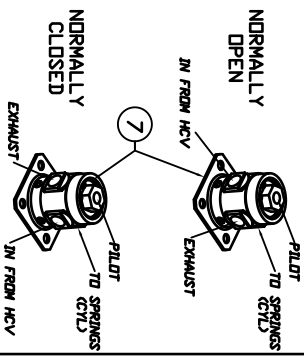


OPTION 3, 1231681B001
TOGGLE VALVE



ITEM No.	PART No.	DESCRIPTION	No. REQ'D	No. REQ'D	No. REQ'D	No. REQ'D
1	1237652B000	VALVE, ELECTRIC SOLENOID, 3-WAY	1	-	-	-
2	1237670B000	VALVE, MANUAL TOGGLE, 3-WAY	-	1	-	-
3	1231681B001	VALVE, MANUAL TOGGLE, 3-WAY	-	-	1	-
4	1234761B000	PRESSURE PROTECTION VALVE	1	1	1	1
5	6300BFA813	HC/V, UNIVERSAL LINKAGE & BRACKETS	1	1	1	1
6	1230105	PLUG, 3/8" PTC DIRT	1	1	1	1
7	1230055	VALVE, 3-WAY AIR PILLOT	-	-	-	1



OPTION 4, 1230055
PILLOT VALVE

REV	PROJECT	REVISION DESCRIPTION	DATE	BY	CHK	APP'D
E	06100	ITEM 5 WAS PRT. 6300BFA810	6/26/06	G.H.	MDJ	DK
D	06100	SWITCHED INLET AND OUTLET FOR OPTION 2	10-22-06	DK	MDJ	DK
C	06100	CHANGED ITEM 3 FROM WILLIAMS TO SEALCO	3-13-06	DK	MDJ	DK
B	07100	ADDED 1230055 (ITEM 7) & 1200063	10/11/07	DK	MDJ	DK
A	06100	ADDED ITEM 6 (1230105)	10/13/06	G.H.	MDJ	DK

RIDEWELL CORPORATION
 PO BOX 4586 SPRINGFIELD, MISSOURI 65808
 TITLE: AIR CONTROL DUMP KIT
 HC/V WITH MANUAL DUMP
 SHEET 1 OF 1
 PART NO. 1200080/1/2/3
 REV. E

This drawing and/or dimension made containing this drawing is the sole property of the Ridewell Corp. and is loaned to the customer for their use only. The customer shall not be permitted to reproduce or distribute this drawing or any part thereof without the written consent of the Ridewell Corp. 1998 Revised.