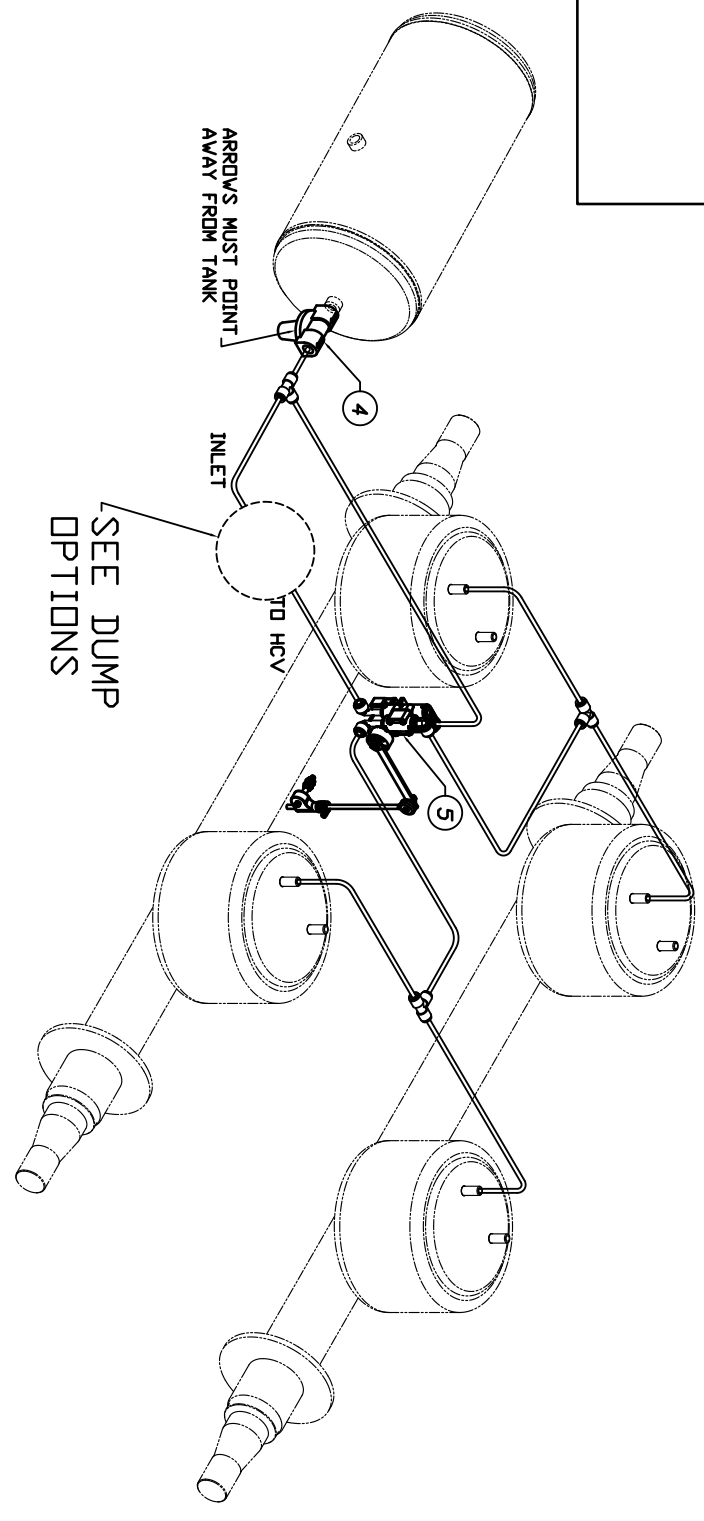


FEATURES:
-FAST DUMP
-QUIET OPERATION
-MANUAL CONTROL

ITEM No.	PART No.	DESCRIPTION	No. REQ'D	No. REQ'D	No. REQ'D
1	1237652B000	VALVE, ELECTRIC SOLENOID, 3-WAY	1	-	-
2	1237670B000	VALVE, MANUAL TOGGLE, 3-WAY	-	1	-
3	1231681B001	VALVE, MANUAL TOGGLE, 3-WAY	-	-	1
4	1234761B000	PRESSURE PROTECTION VALVE	1	1	1
5	63108FAB13	HCV W/P DMP, UNVERSL W/LINKAGE & BKTS	1	1	1

120065
120066
120067



REV	PROJECT	REVISION DESCRIPTION	DATE	BY	CHK	APP'D
C	09100	ITEM 5 WAS 63108FAB10	8/25/08	G.H.	INDJ	DK
B	08100	SWITCHED INLET AND OUTLET ON OPTION 2	10-22-08	DK	INDJ	DK
A	08100	CHANGED ITEM 3 FROM WILLIAMS TO SEACO	3-13-08	DK	INDJ	DK
REV	PROJECT	REVISION DESCRIPTION	DATE	BY	CHK	APP'D

DRAWING NO. DK 4-28-06
 APPROVED INDJ 5/28/06
 PROJECT NO. DK 5/28/06
 TITLE: AIR CONTROL DUMP KIT
 HCV WITH MANUAL DUMP
 RIDEWELL CORPORATION
 PO BOX 4586 SPRINGFIELD, MISSOURI 65808
 SHEET 1 OF 1
 PART NO. 1200085/6/7
 REV. C

This drawing and/or dimension made containing the drawing is the sole property of the RideWell Corp. and is issued with the express understanding that it is not to be used for any other purpose without the written consent of RideWell Corp. The acceptance of this drawing and/or dimension made containing the drawing will be considered an acknowledgment of the ownership of the drawing by the customer. RideWell Corp. does not warrant the drawing to be in accordance with the RideWell Corp. specifications.