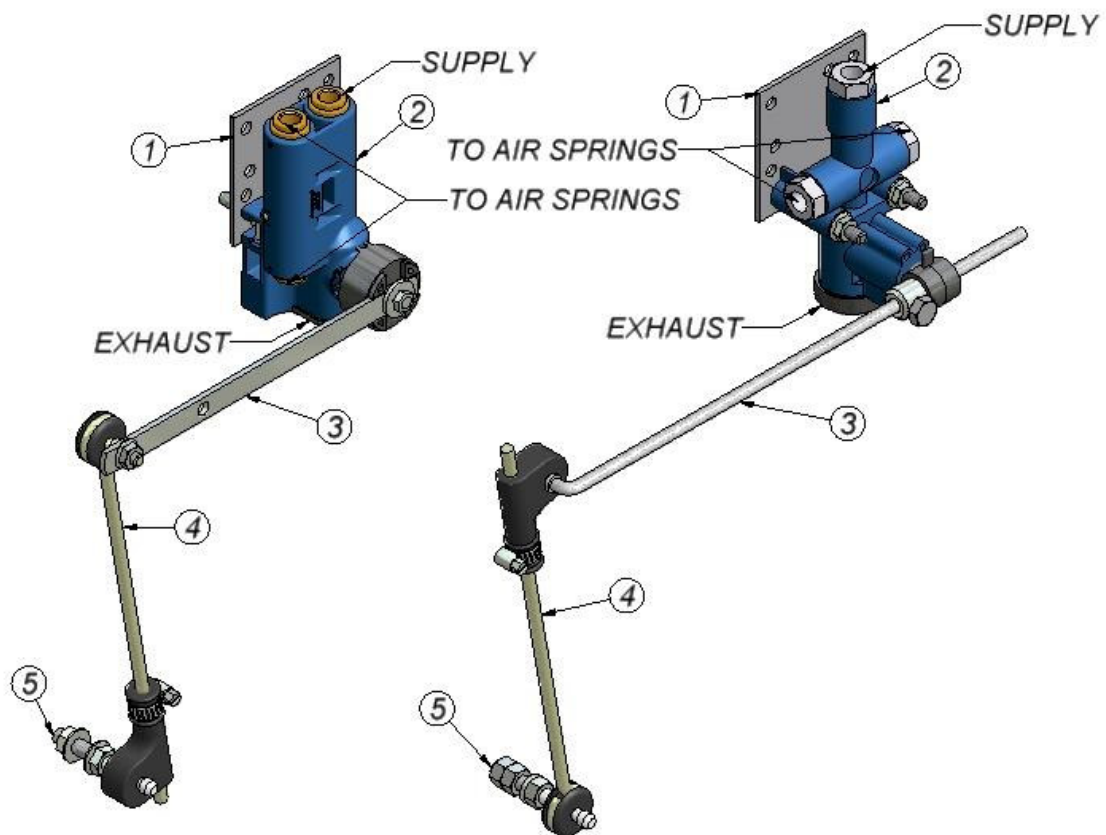


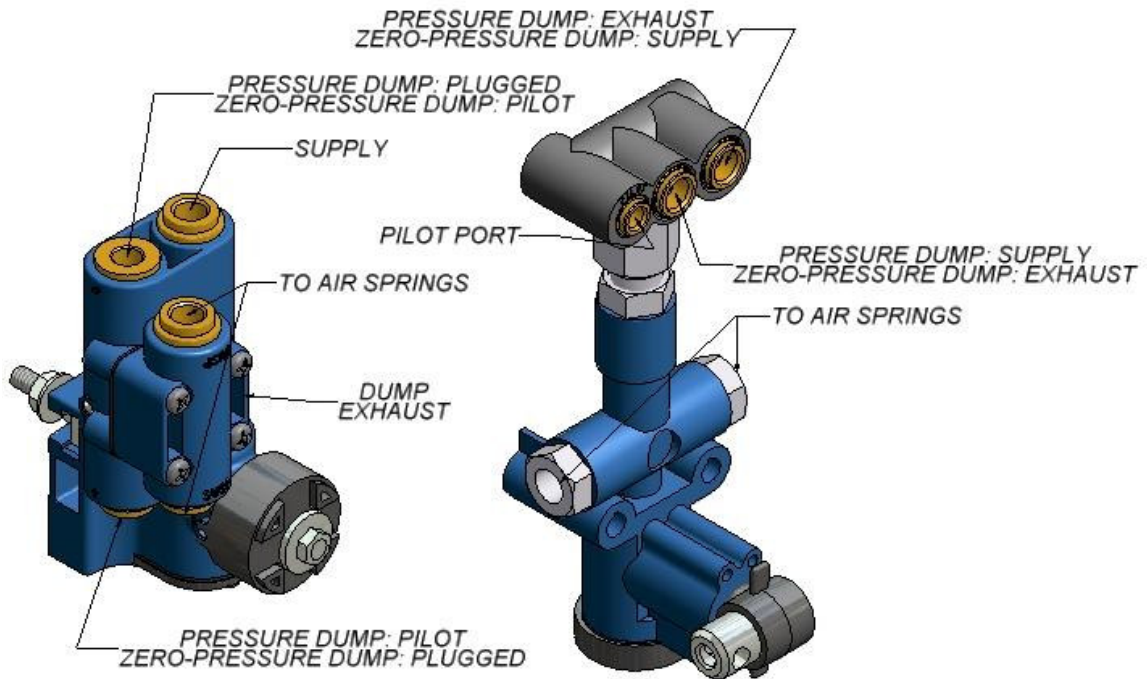
Universal Height Control Valve Kit Comparison:  
Part Numbers 6300BFAB10 vs. 6240605






Item number and description of change:

1. Universal mounting bracket: No change
2. Height Control Valve:
  - 1/4" NPT fittings changed to 3/8" push-to-connect fittings
    - Eliminates 3 to 4 fittings per valve
    - Reduced labor to install the valve
  - Port location change
  - New valve can mount horizontally or vertically
3. Lever:
  - Flat instead of round
  - New valve has only two lever length options, 5" or 7"
    - Reduces the need to cut the lever to length.
4. Vertical link:
  - Same as before but mounted upside-down
5. Lower pin:
  - Same as before but with lock-nut

## Height Control Valves with Dump Valve



- Port location changes noted above.
- Pilot port size changes from 1/4" push-to-connect to 3/8" push-to-connect. A reducer fitting is available from Ridewell.
- Fittings that are available to facilitate retrofit are listed below:

	REDUCER 3/8" MALE TO 1/4" FEMALE: 1230109
	PORT PLUG 3/8": 1230105 1/4": 1357740C002
	STEM ELBOW 3/8": 1230100