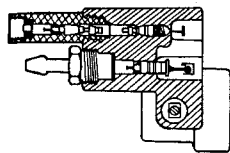
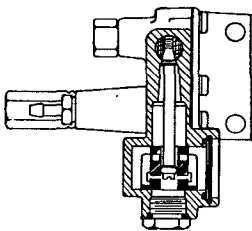




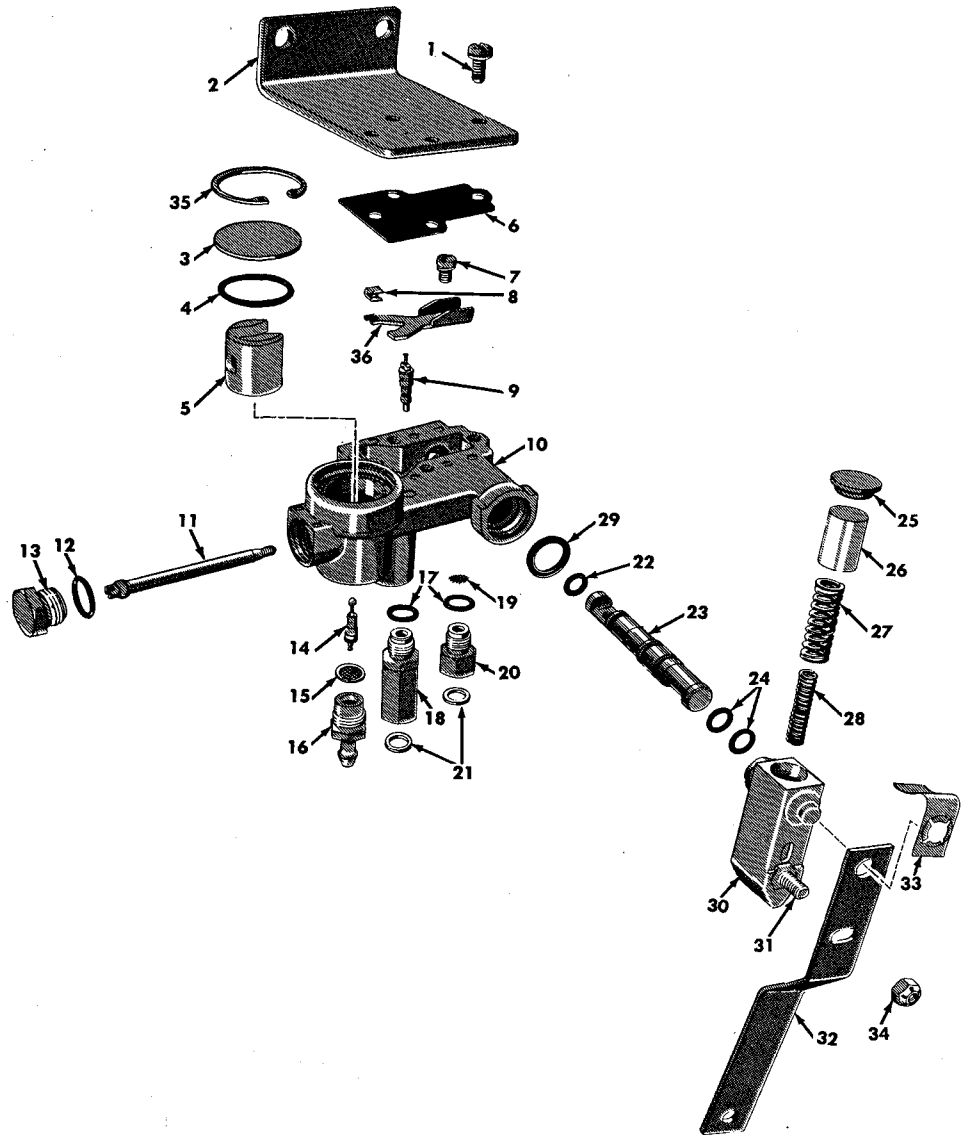
# Height Control Valve



SECTION THROUGH VALVES



SECTION THROUGH DELAY PISTON AND PIN



- 1 Cover Screw and Lock Washer
- 2 Cover and Bracket
- 3 Delay Cover
- 4 Delay Cover O-Ring
- 5 Delay Piston
- 6 Cover Gasket
- 7 Valve Lever Screw
- 8 Valve Stem Lock Clip
- 9 Intake Valve Core
- 10 Valve Body
- 11 Piston Pin
- 12 Plug O-Ring

- 13 Delay Plug
- 14 Exhaust Valve Core
- 15 Exhaust Screen
- 16 Exhaust Fitting
- 17 Adapter O-Ring
- 18 Inlet Adapter and Check Valve Assembly
- 19 Outlet Adapter Screen
- 20 Outlet Adapter
- 21 Airline Fitting Gasket
- 22 Shaft O-Ring (Medium)
- 23 Overtravel Control Shaft
- 24 Shaft O-Ring (Large)

- 25 Overtravel Body Plug
- 26 Overtravel Piston
- 27 Overtravel Spring (Large)
- 28 Overtravel Spring (Small)
- 29 Overtravel Control Body Seal
- 30 Overtravel Control Body
- 31 Overtravel Lever Stud
- 32 Overtravel Lever
- 33 Plug Retainer
- 34 Lever Stud Nut
- 35 Delay Cover Retainer
- 36 Intake and Exhaust Valve Lever